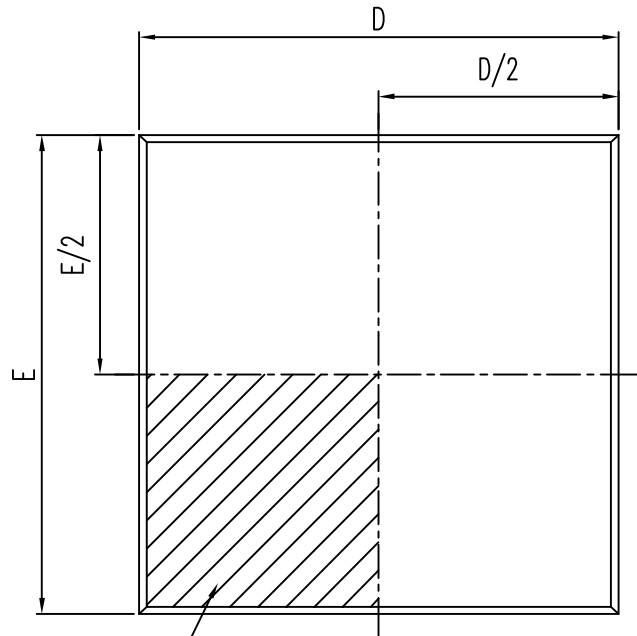


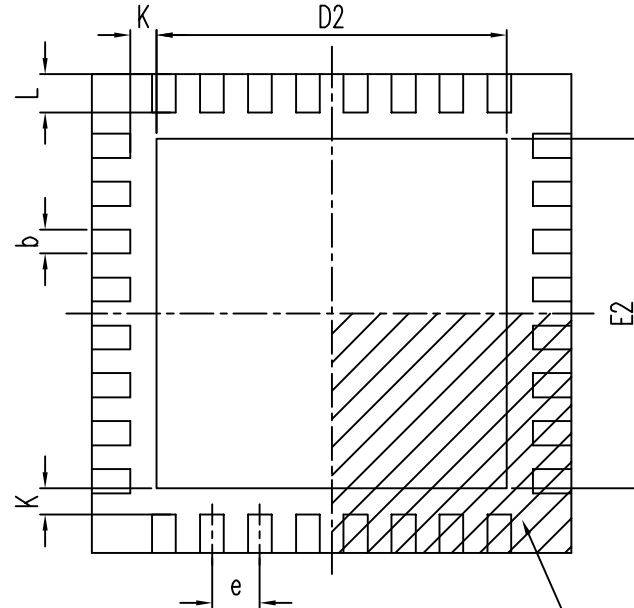
REV.	DESCRIPTION	BY	DATE
ORIG.	DRAWING ISSUE	SANDY CHEN	03.18.2014

TOP VIEW



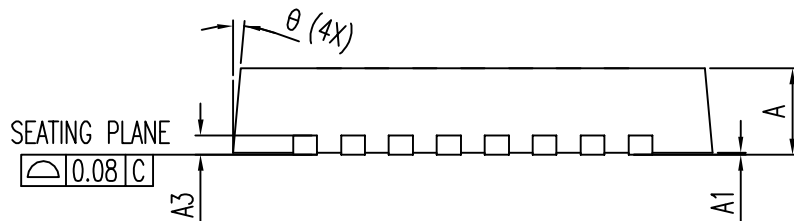
TERMINAL #1
INDEX AREA
(D/2 X E/2)

BOTTOM VIEW



TERMINAL #1
INDEX AREA
(D/2 X E/2)

SYMBOL	DIMENSION IN MM		
	MIN.	NOM.	MAX.
A	0.80	0.90	1.00
A1	0	0.02	0.05
A3	0.20 REF.		
D	5.00 BASIC		
D2	3.50	3.65	3.80
E	5.00 BASIC		
E2	3.50	3.65	3.80
e	0.50 BASIC		
b	0.18	0.25	0.30
L	0.35	0.40	0.45
K	0.20		
θ	0°		14°
JEDEC	MO-220 (Variation VHHD-4)		



SIDE VIEW

CWT Chant World Technology Inc.		<input type="checkbox"/>	<input checked="" type="checkbox"/>									
TITLE VQFN 32L PACKAGE OUTLINE BODY SIZE : 5 X 5 MM		<table border="1"> <tr> <td>XX.XXXX ±0.005</td> <td>ANGULAR ±</td> </tr> <tr> <td>XX.XXX ±0.035</td> <td>ROUGHNESS ✓</td> </tr> <tr> <td>XX.XX ±0.05</td> <td>SCALE 18 : 1</td> </tr> <tr> <td>XX.X ±0.1</td> <td></td> </tr> <tr> <td>XX. ±0.2</td> <td></td> </tr> </table>	XX.XXXX ±0.005	ANGULAR ±	XX.XXX ±0.035	ROUGHNESS ✓	XX.XX ±0.05	SCALE 18 : 1	XX.X ±0.1		XX. ±0.2	
XX.XXXX ±0.005	ANGULAR ±											
XX.XXX ±0.035	ROUGHNESS ✓											
XX.XX ±0.05	SCALE 18 : 1											
XX.X ±0.1												
XX. ±0.2												
DESIGNED	SANDY CHEN 03.18.2014	UNIT	Q'TY									
CHECKED	SANDY CHEN 03.18.2014	FILE NAME : VQFN32L(5x5x0.85) A3										
APPROVED	SANDY CHEN 03.18.2014	DWG. NO.: CW-PS-006A										